

# RESIDENTIAL ESS SOLUTION

## DEYE SPRING RW SERIES



### Safe and Reliable

- ⦿ LFP Battery with intelligent BMS for protection  
Monitors voltage, current, and temperature



### Easy Installation

- ⦿ Wall-mounted and floor-mounted options



### Long Service Life

- ⦿ 1C/1.2C continuous charge/discharge  
BMS balances cell charging to extend cycle life



### Flexible Expansion

- ⦿ Supports up to 32 units in parallel  
Compatible with Deye inverters and multiple expansion methods

≥6000

Cycles

-20°C ~ 55°C

Wide Temperature

70%

EOL

10 years

Waranty for long-term peace of mind



**Model** RW-F10.2

**Main Parameter**

Battery Type	LiFePO <sub>4</sub>
Built-In Circuit Breaker	125A 4P, 60Vdc
Capacity ( Ah )	200
Nominal Voltage ( V )	51.2
Operating Voltage ( V )	43.2 ~ 57.6
Rated Energy ( kWh )	10.2
Usable Energy ( kWh )	10.2 (100%DOD)
Scalability	Max. 32 pcs pack (Max. 326kWh) in parallel
Rated DC Power ( kW )	6
Max DC Power ( kW )	12
Charge / Discharge <sup>1</sup>	Recommend
Current (A)	Nominal
	Peak
	Charge : 100 / Discharge : 100
Operating Temperature ( °C )	Charge : 198 / Discharge : 240
	Discharge : 300 ( 2mins, 25°C )
Storage Temperature ( °C )	Charge : 1 ~ 55°C / Discharge : -20°C ~ 55°C
Weight Approximate ( kg )	0°C ~ 35°C
Dimension ( W × H × D, mm )	104
Master LED Indicator	600 × 760 × 200 ( Without hanging board )
Humidity	SOC state ( 20% ~ 100% ), work state ( alarming, protecting )
Altitude	5% ~ 95%
Cycle Life	≤3000m
IP Rating of Enclosure	≥6000 ( 25°C±2°C, 0.5C / 0.5C, 90%DOD, 70%EOL )
Installation Location	IP65
Recommend Depth of Discharge	Wall-Mounted, Floor-Mounted
Communication Port	90%
Warranty Period <sup>2</sup>	CAN2.0, RS485
Energy Throughput	10 years
Certification <sup>3</sup>	32MWh ( 25°C, 0.5C / 0.5C, 70%EOL )
	UN38.3, IEC62619, CE, CEI 0-21, VDE2510-50, CEC

[1] The current is affected by temperature and SOC.

[2] Conditions apply, refer to Deye Warranty Letter.

[3] Made in China

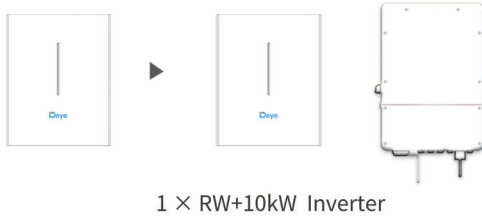


## Residential ESS Solutions

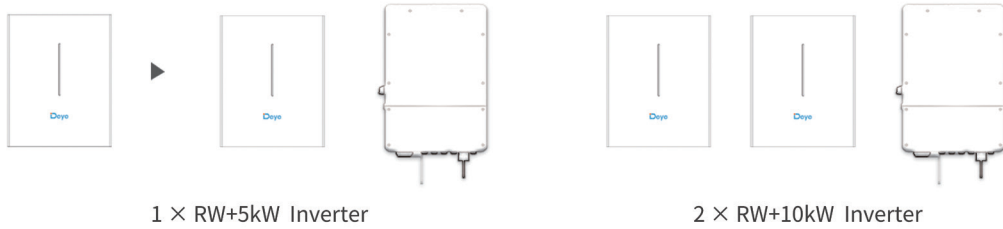
### Typical configuration

Support 5kW, 12kW and up to 18kW inverters to connect the battery, and 1 to 3 batteries can be connected in parallel.

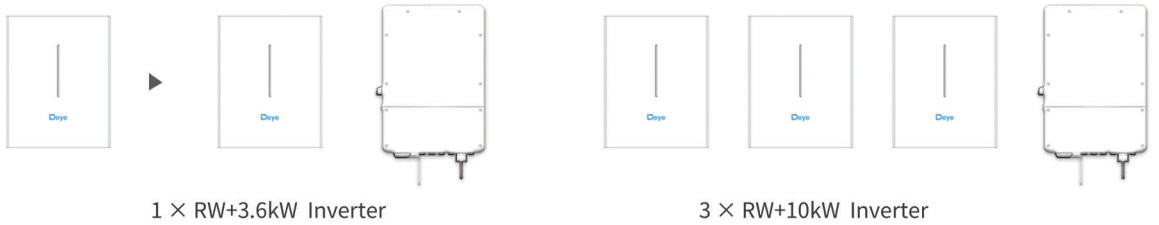
#### 1 hour solution



#### 2 hours solution



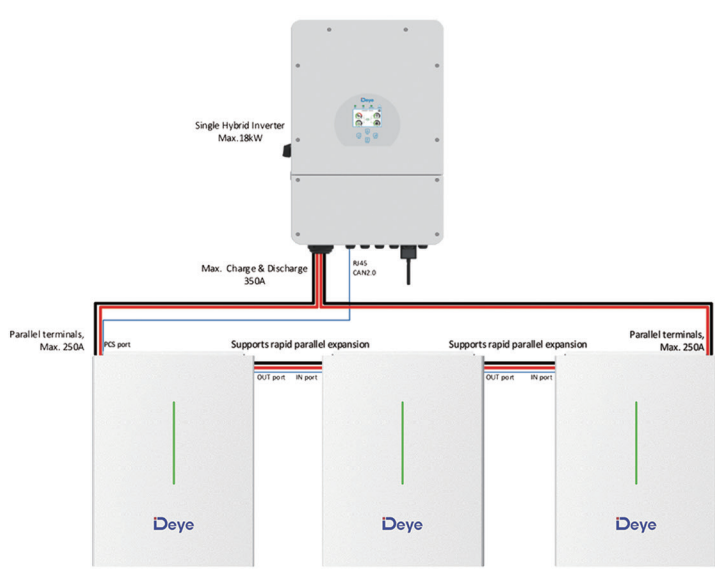
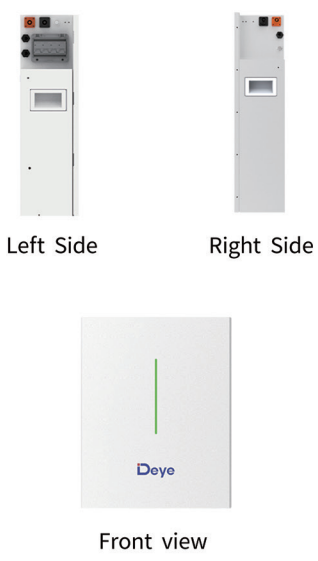
#### 3 hours solution



## Product Application & System Topology Reference

### Main Application Scenarios

It is suitable for applications with high power, limited installation space, limited carrying capacity, and long cycle life.





### SCENARIO-BASED ENERGY MANAGEMENT SOLUTIONS

- Utilize energy in every household needs.
- Embrace effortless energy experience that's both eco-friendly and budget-friendly with our intelligent assistant.

### SMARTEN-UP YOUR HOME ENERGY

- Real-time monitoring, with data information at a glance.
- Create scenario-based tasks that adapt to your daily routines.
- A smarter way to manage your electricity bills.

#### CONNECT , MONITOR , CONTROL

Seamlessly integrated with Deye devices for a smarter, more efficient energy experience.

- User-friendly interface demystifies complex settings.
- Clear menu hierarchy, key information at your finger tips.

